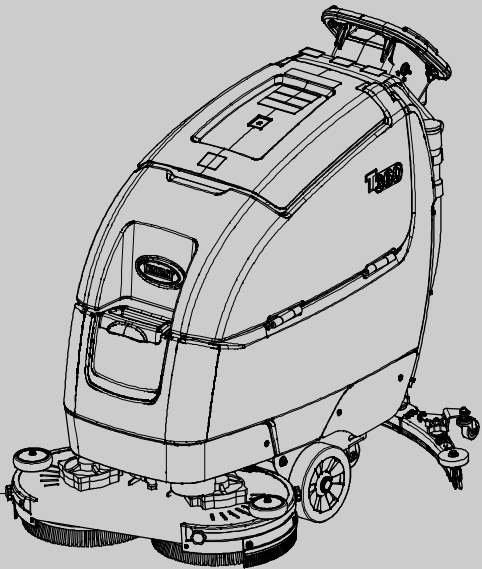




# T360

Walk-Behind Floor Scrubber

## Parts Manual



Model Part No.:

TN8000533 - SCRUBBER [T360, 70CM, EMEA]

TN8000534 - SCRUBBER [T360, 70CM, NA]

TN8000535 - SCRUBBER [T360, 70CM, LATAM]

TN8000536 - SCRUBBER [T360, 70CM, ANZ]

**TennantTrue® Parts**

## Global



To view, print or download  
the parts manual, visit:

[www.tennantco.com/manuals](http://www.tennantco.com/manuals)

4238518  
Rev. 01 (01-2026)

Only use TENNANT Company supplied or equivalent parts. Parts and supplies may be ordered online, by phone or from any Tennant Authorized Service Center or Distributor.

Before Ordering any parts or supplies, be sure to have the machine model number and serial number available.

### Serial Number Location



### Tennant Company

10400 Clean Street  
Eden Prairie, MN 55344- 2650  
USA  
Phone: (800) 553- 8033  
[www.tennantco.com](http://www.tennantco.com)

### Tennant Company N.V.

Industrielaan 6 5405 AB  
P.O. Box 6 5400 AA  
Uden- The Netherlands  
[europe@tennantco.com](mailto:europe@tennantco.com)  
[www.tennantco.com](http://www.tennantco.com)

Specifications and parts are subject to change without notice.

Copyright © 2025 TENNANT Company

**RECOMMENDED SPARE PARTS LIST ..... 4**

**BRUSHES / PAD DRIVERS / REPLACEMENT PADS ..... 5**

**SCRUB HEAD GROUP ..... 6**

**SOLUTION TANK GROUP ..... 8**

**SOLUTION TANK HOSE GROUP ..... 10**

**ELECTRICAL COMPONENT GROUP ..... 11**

**RECOVERY TANK GROUP ..... 12**

**VACUUM MOTOR GROUP ..... 14**

**CONTROL HANDLE GROUP ..... 15**

**FRAME GROUP ..... 16**

**SQUEEGEE LIFT GROUP ..... 18**

**SQUEEGEE LIFT HANDLE GROUP ..... 19**

**SQUEEGEE GROUP ..... 20**

**BATTERY AND CHARGER GROUP ..... 22**

**WIRE HARNESS GROUP ..... 24**

**LABEL GROUP ..... 26**

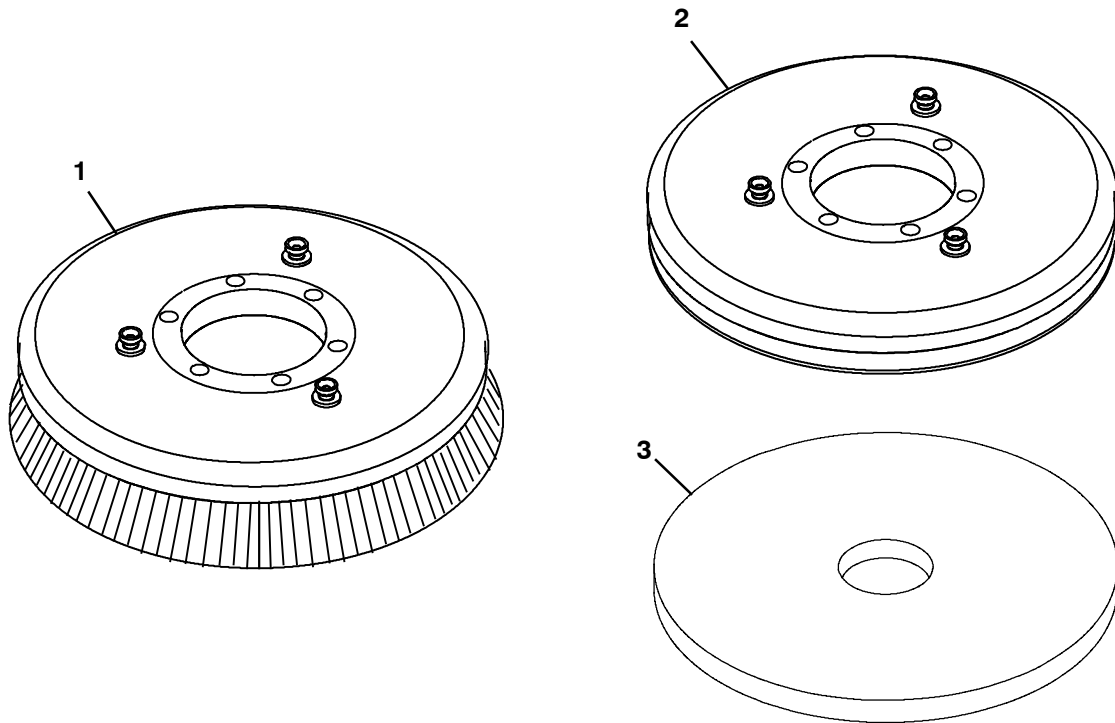
**DOCUMENTATION GROUP ..... 27**

**ELECTRICAL DAIGRAM ..... 28**

## RECOMMENDED SPARE PARTS LIST

Part No.	Description
1276703	Battery, AGM, 12VDC, 144AH [EMEA]
CN5002612	Battery, 70BT [NAM/LATAM/ANZ]
1212837	Charger, 24VDC/13A, 100- 230VAC [EUR]
1044068	Cord, Power, 2.5M [EUR]
1044069	Cord, Power, 2.5M [UK]
CN5006264	Charger, 24V, 15AH [NAM- LATAM/ANZ]
CN5002960	Cord, Power [NAM]
CN5005927	Cord, Power [BRZ]
CN5004235	Cord, Power [AUS]
1221585	Blade, Sqge, Rear, 1166l, Linatex [650mm] (Standard)
4235751	Blade, Sqge, Front, 1072l Linard [650mm] (Standard)
9015735	Blade Kit, 650mm, Urethane (Option)
1228909	Blade, Sqge, Rear, 1136l,Urethane [650mm] (Option)
1228915	Blade, Sqge, Front,1072l,Urethane [650mm] (Option)
9015733	Blade Kit, 650mm, Gum (Option)
1228910	Blade, Sqge, Rear, 1136l, Gum [650mm] (Option)
1228919	Blade, Sqge, Front, 1072l Gum [650mm] (Option)
317454	Blade, Sqge, Rear, 1136L, Primothane (Option)
317455	Blade, Sqge, Front, 1172L, Primothane (Option)
CN3000550	Squeegee Kit, 650mm
1264538	Squeegee Swivel Caster
TN4100454	Frame Swivel Caster
222066	Squeegee Bumper Wheel
4004201	Brush, Disk, 35mm, Polypropylene, Magnet Assist (Std)
4235128	Brush, Disk, 35mm, Nylon, Magnet Assist (Option)
4235130	Brush, Disk, 35mm, Super Abrasive, Magnet Assist (Option)
4004239	Driver, Pad, 33mm, Brush, Magnet Assist
CN4000004	Recovery Drain Hose Clamp
CN4000730	Roller, Scrub head
CN5001519	Key Switch
CN5001636	Fuse, 100A
CN5001643	Fuse, 5A
CN5001647	Fuse, 25A
CN5001942	Clip, Recovery Drain Hose
CN5002290	Rear Wheel
CN5002833	Recovery Drain Hose w/ Cap
CN5002836	Squeegee Hose
1211537	Filter, In- Line [80 Mesh]
CN5003089	Sensor, Level, Recovery Tank
CN9100953	Gasket, Recovery Tank Cover
CN5005711	Tray, Debris, Tank, Recovery
CN5005723	Cover, Debris, Tank, Recovery
CN5006246	Seal, Strip, Tank Fill
CN5006952	Skirt, Brush
TN9100048	Scrub Motor Carbon Brush Kit
TN9100049	Drive Motor Carbon Brush Kit

BRUSHES / PAD DRIVERS / REPLACEMENT PADS



Ref.	Part No.	Serial Numbers	Description	Qty.
1	4004201	( )	Brush, Disk, 35mm, Polypropylene, Magnet Assist (Std)	1
1	4235128	( )	Brush, Disk, 35mm, Nylon, Magnet Assist (Option)	1
1	4235130	( )	Brush, Disk, 35mm, Super Abrasive, Magnet Assist (Option)	1
2	4004239	( )	Driver, Pad, 33mm, Brush, Magnet Assist	1

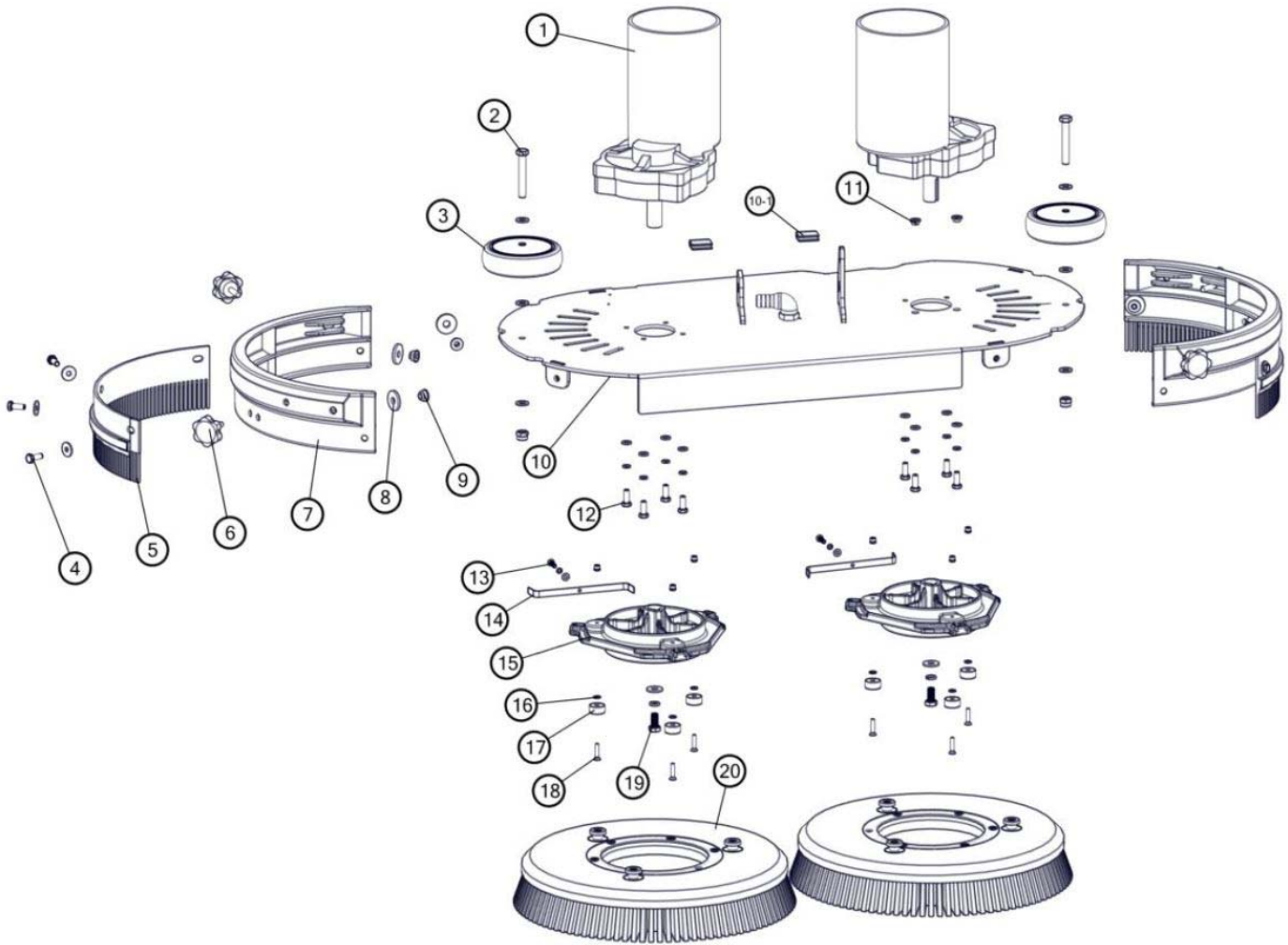
NAM/LATAM/ANZ Pads

Ref.	Part No.	Serial Numbers	Description	Qty.
3	1240389	( )	Pad, Polish, 14.0d, Yel, 5pc [NAM/ANZ]	1
3	1243343	( )	Pad, Polish, 14.0d, White, 5pc [NAM/ANZ]	1
3	1243344	( )	Pad, Scb, 14.0d, Blue, 5pc [NAM/ANZ]	1
3	1243656	( )	Pad, Buff, 14.0d Red, 5pc [NAM/ANZ]	1
3	1243657	( )	Pad, Stripping, 14.0d Brown, 5pc [NAM/ANZ]	1
3	1243658	( )	Pad, Strip, 14.0d Blk[Hi Prod, 5pc [NAM/ANZ]	1
3	1243667	( )	Pad, Surf Prep, 14.0d Maroon, 5pc [NAM/ANZ]	1

Europe Pads

Ref.	Part No.	Serial Numbers	Description	Qty.
3	994518	( )	Pad, Buff, 14.0/355, Red, 5pc [EUR]	1
3	994519	( )	Pad, Scb, 14.0inch /355, Blue, 5pc [EUR]	1
3	994520	( )	Pad, Stripping, 14.0/355, Brown, 5pc [EUR]	1
3	994754	( )	Pad, Polish, 14.0/355, White, 5pc [EUR]	1
3	995611	( )	Pad, Buff, 14.0/355, Red, 3m, 5pc [EUR]	1
3	995619	( )	Pad, Scb, 14.0inch /355. 3m Blue, 5pc [EUR]	1
3	995626	( )	Pad, Stripping, 14.0/355, Brown, 3m, 5pc [EUR]	1
3	1215454	( )	Pad, Polish, 14.0d, Purple, 5pcs [EUR]	1
3	1215462	( )	Pad, Polish, 14.0d, Sienna, 5pcs [EUR]	1

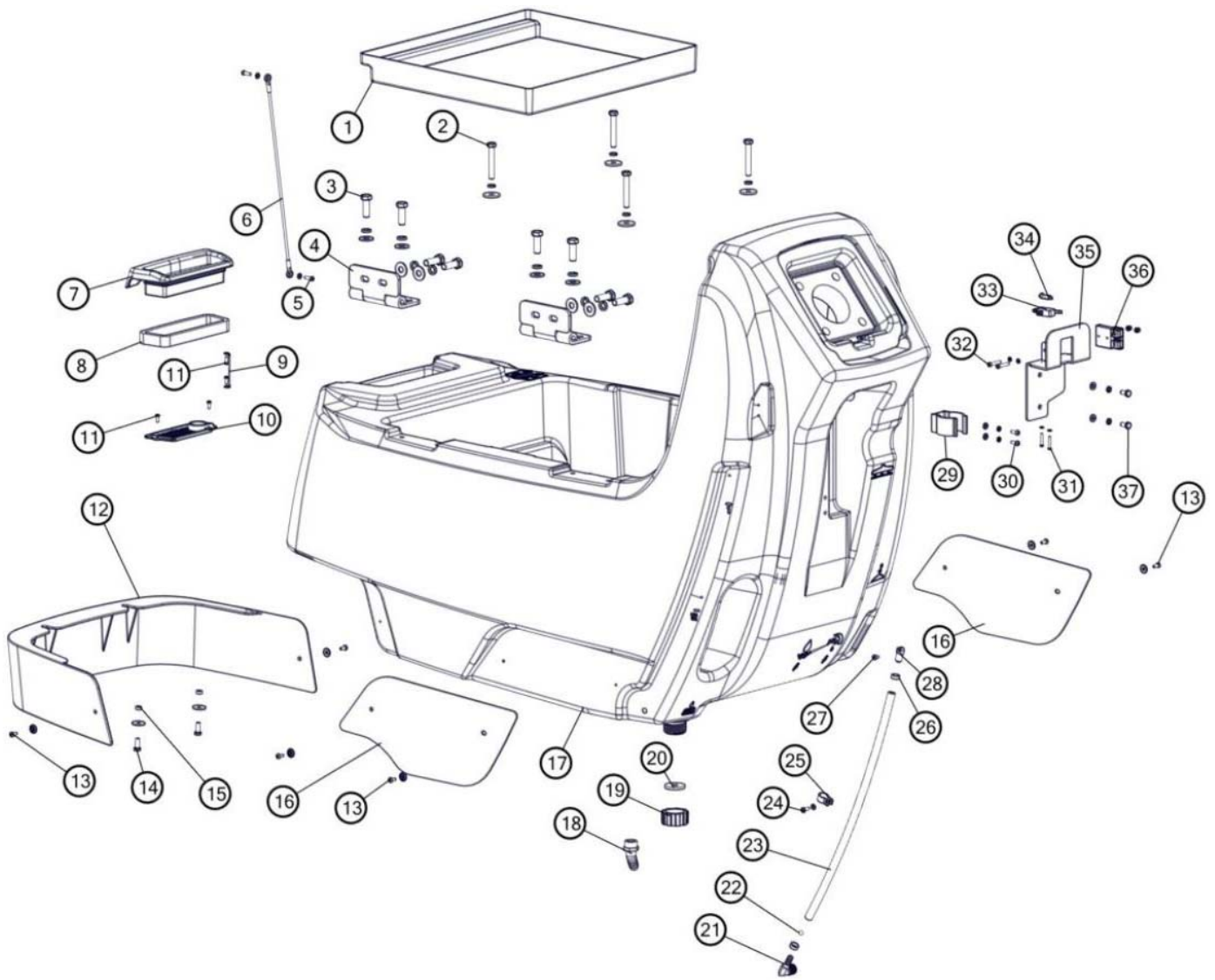
SCRUB HEAD GROUP



## SCRUB HEAD GROUP

Ref.	Part No.	Serial Numbers	Description	Qty.
1	CN5006315	( )	Motor M18, 114zyj031-360w24v	2
1	TN9100048	( )	Carbon Brush, Disk 24v [T360]	8
1	CN5007233	( )	Silicone Rubber, Tsb50a	2
2	33401	( )	Screw, Hex, M8 X 1.25 X 50, Fl, Ss	2
2	CN4000373	( )	Washer, M8	6
2	08713	( )	Nut, Hex, Lock, M8 X 1.25, Ni, Ss	2
3	CN4000730	( )	Gm230 Drag Wheel, Gm230	2
4	15678	( )	Screw, Hex, M6 X 1.00 X 16, Ss	6
4	01684	( )	Washer, Flat, 0.27B 0.69D .05, Ss	6
5	CN5006952	( )	Skirt, Brush	2
6	CN5006982	( )	M6*25 Hand Screw	4
7	CN5006892	( )	Cover, Future Brush	2
8	CN5002208	( )	Gm70bt Strap Silicone Pad	6
9	CN4000337	( )	Gm70bt M6 Strap Nut	6
10	TN5100846	( )	Plate, Disk Weld [T360]	1
10-1	TN9100050	( )	Reset Frame Edge Protection Strip 25mm	2
11	TN5100891	( )	Gasket, Brush Motor, T360	2
12	15678	( )	Screw, Hex, M6 X 1.00 X 16, Ss	8
12	CN4000405	( )	Washer, M6	8
12	CN4000370	( )	Washer, M6	8
13	24265	( )	Screw, Pan, Phl, M4 X 0.70 X 16, Ss	2
13	CN4000403	( )	Washer, Belleville, M4	2
13	41579	( )	Washer, Flat, 08, Ss	2
14	TN5100857	( )	Spring, Hub [T360]	2
15	TN5100854	( )	Hub, Auto [T360]	2
16	140011	( )	Washer, Flat, 0.21b 0.45d .03, Ss	6
17	TN5100861	( )	Magnet [T360]	6
18	CN4000047	( )	Screw, M4x20, Flat, Cross	6
19	15675	( )	Screw, Hex, M8 X 1.25 X 16, Ss	2
19	CN4000406	( )	Washer, M8 White	2
19	CN4000375	( )	Washer, M8	2
20	4004201	( )	Brush, Disk, 35mm, Poly, Magnet Assist (Std)	2
20	4004239	( )	Driver, Pad, 33mm, Brush, Magnet Assist	2

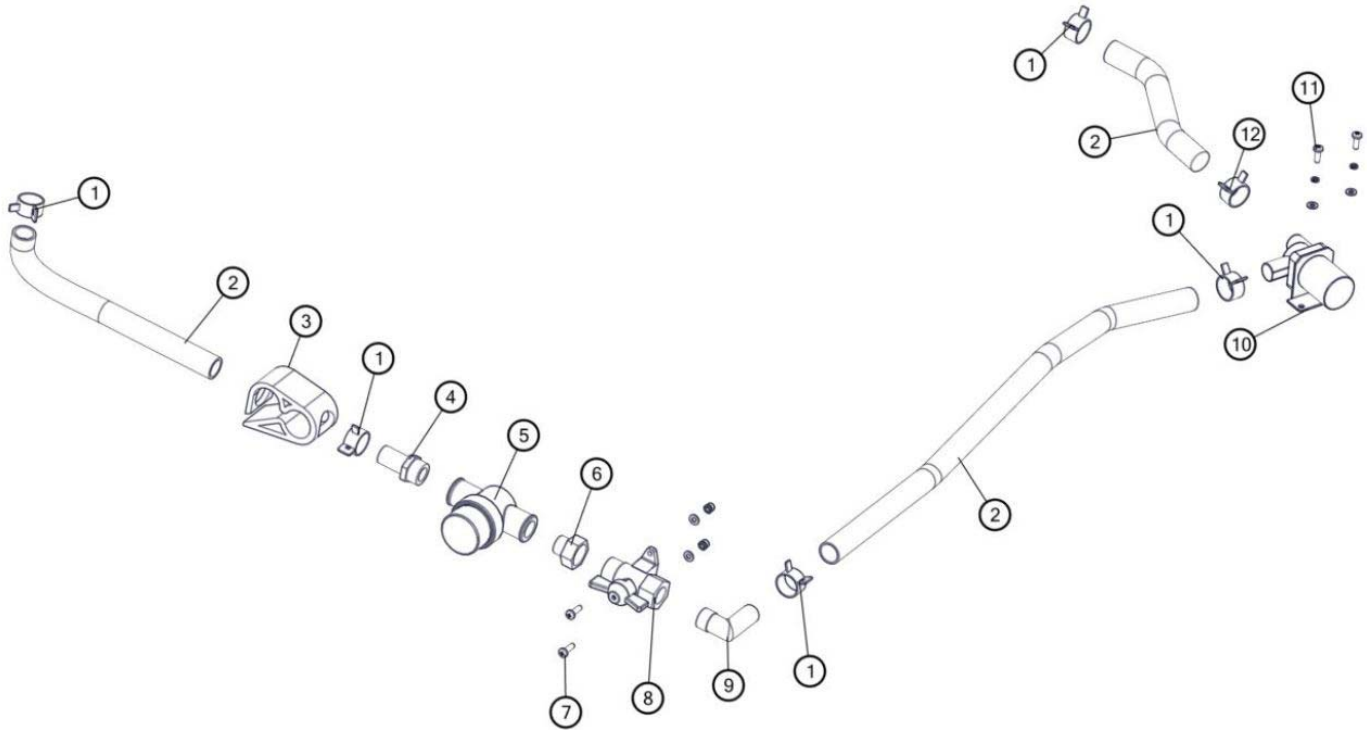
SOLUTION TANK GROUP



## SOLUTION TANK GROUP

Ref.	Part No.	Serial Numbers	Description	Qty.
1	TN5100866	( )	Battery Box T360	1
2	1057476	( )	M8 * 55 Hex	4
2	CN4000406	( )	Washer, M8 White	4
2	CN4000952	( )	M8 Extra Large Flat Pad 8*30*2	4
3	09740	( )	Screw, Hex, M8 X 1.25 X 20, Ss	8
3	CN4000406	( )	Washer, M8 White	8
3	CN4000373	( )	Washer, M8	8
4	4047149	( )	Hinge, CRS, 110x60x20, Gray	2
5	CN4000036	( )	Screw, Pan, Phl, M4 X 16	2
5	41579	( )	Washer, Flat, 08, Ss	2
6	TN4100452	( )	Wiredrawing, Tank Cycl [T360]	1
7	CN5006220	( )	Cap, Tank, Soltn	1
8	CN5006246	( )	Seal, Strip, 420mm X 18mm X 7mm	1
9	CN4000781	( )	Chain	1
10	TN5100871	( )	Filter, Tank Soltn [T360]	1
11	CN4000049	( )	St4*12 Pan Head Cross Attack Small Head	4
12	TN5100770	( )	Cover, Front [T360]	1
13	CN4000038	( )	Screw, Pan, Phl, M4 X 12	6
13	CN5005283	( )	Washer, Nyl, Blk, 14.0mmd 4.5mmb 3.0mmt	6
14	CN4000169	( )	M6*14 Outer Hexagonal Stainless Steel	2
14	01684	( )	Washer, Flat, 0.27B 0.69D .05, SS	2
15	CN5006097	( )	Bushing, 9mmmod 6mmid 4mmt	2
16	TN5100775	( )	Plate, Soltn Tank(Blue Green) [T360]	2
17	TN5100752	( )	Tank, Soltn (Blue Green)[T360] 18kg	1
18	TN5100872	( )	Connector, Outer 45 4x15	1
19	CN5001935	( )	Cap, Soltn, Tank	1
20	CN5002217	( )	Washer, Gasket	1
21	CN5001384	( )	Fitting, Brs, E90	1
22	CN5002145	( )	Float, Level, Red, 6mm	1
23	TN9100051	( )	Hose, Pvc, Clr, #8#12#435mm#	1
24	CN4000038	( )	Screw, Pan, Phl, M4 X 12	1
24	41579	( )	Washer, Flat, 08, Ss	1
25	CN4000020	( )	Clamp, Cable, 24.0mmd, 1hole	1
26	CN4001008	( )	Clamp, Hose	2
27	24265	( )	Screw, Pan, Phl, M4 X 0.70 X 16, Ss	1
28	CN5002029	( )	Fitting	2
29	CN5001942	( )	Clip, Hose, Black, Gm50b (Pom)	1
30	CN4000038	( )	Screw, Pan, Phl, M4 X 12	2
30	CN4000403	( )	Washer, Belleville, M4	2
30	41579	( )	Washer, Flat, 08, Ss	2
31	CN4001133	( )	Screw, Pan, Phl, M3 X 20	2
31	CN4000365	( )	Washer, Flat, M3 3.2 X 7 X 0.5mm	2
32	CN4000112	( )	Screw, Pan, Phl, M4 X 25	5
32	41579	( )	Washer, Flat, 08, Ss	5
32	33932	( )	Nut, Hex, Lock, M4 X 0.70, NI, Ss	1
33	TN5100004	( )	Switch, Micro	1
34	1013705	( )	Plate, Thread, Switch, M3 Nut, 96hr PI	1
35	TN5100778	( )	Plate, Support, Plug [T360]	1
36	CN5005821	( )	Anderson Sb50 992g1 Red	1
37	CN5001386	( )	G1/2 Outer Wire;Á;É12 Elbow	2
37	CN4000370	( )	Washer, M6	2
37	CN4000405	( )	Washer, M6	2

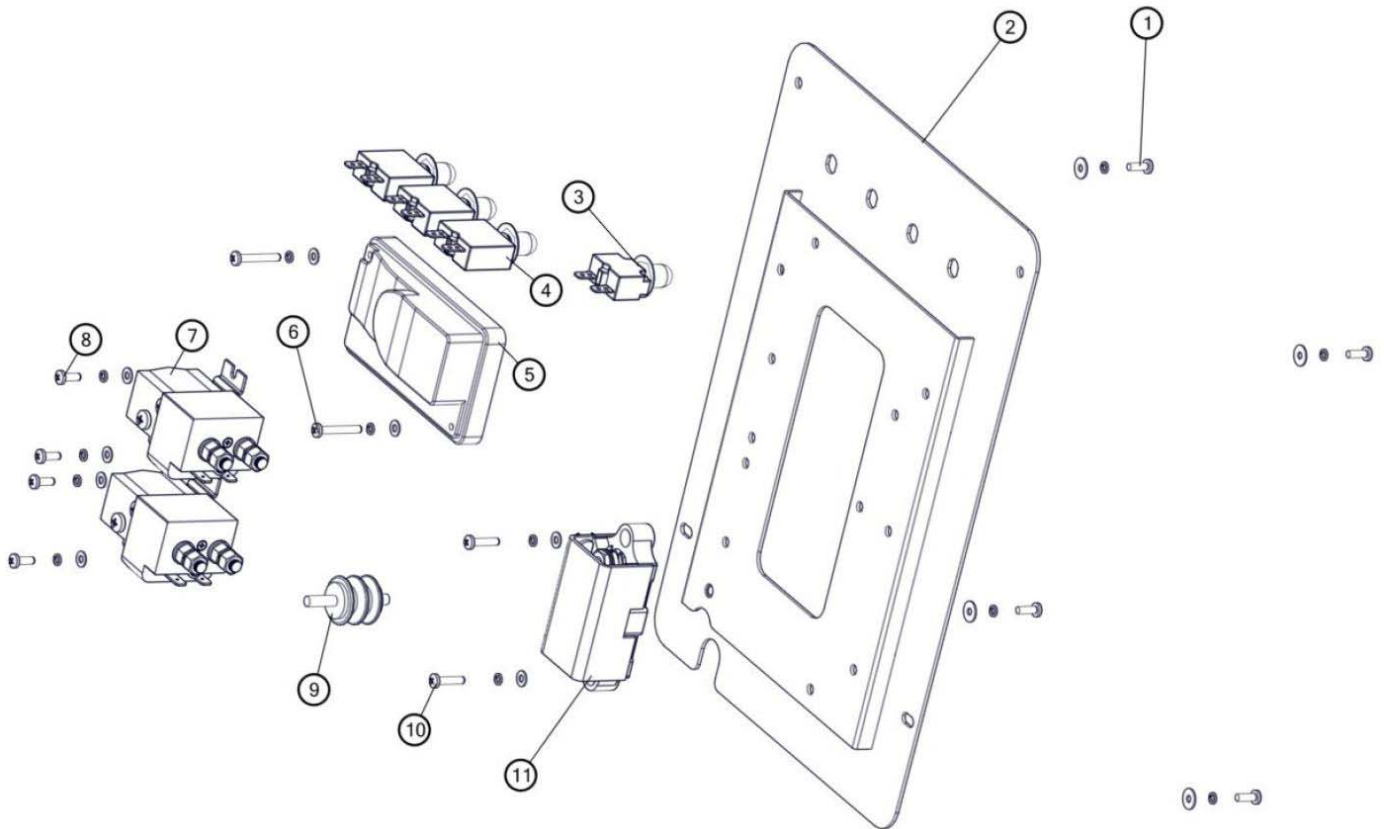
**SOLUTION TANK HOSE GROUP**



**SOLUTION TANK HOSE GROUP**

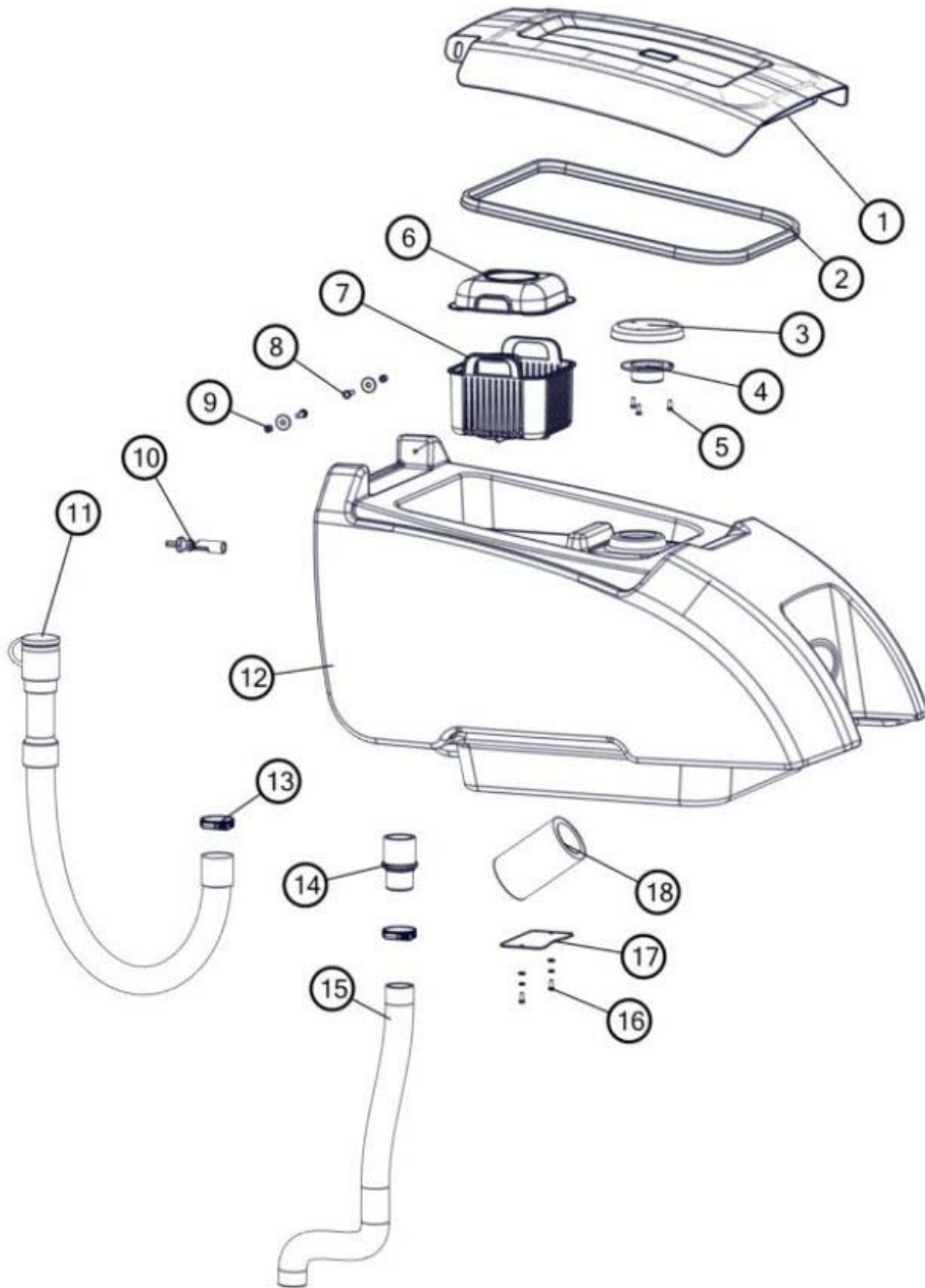
Ref.	Part No.	Serial Numbers	Description	Qty.
1	CN5004739	( )	Clamp, Hose, Spring, 20mmd	5
2	TN9100052	( )	Hose, Silicone, 15mmid X 21mmod#900mm#	1
3	TN4100433	( )	Stopper, Water, Control	1
4	CN5005002	( )	Fitting, Brs, Str	1
5	1211537	( )	Filter, In- Line [80 Mesh, Fine, White]	1
6	CN5004733	( )	Fitting	1
7	CN4000194	( )	Screw, Pan, Phl, M4 X 14	2
7	41579	( )	Washer, Flat, 08, Ss	2
7	33932	( )	Nut, Hex, Lock, M4 X 0.70, NI, Ss	2
8	CN5004736	( )	Valve, Ball	1
9	CN5001436	( )	Fitting, Brs, E90	1
10	CN5003231	( )	Gm110btr80 Solenoid Valve Harness	1
11	CN4000038	( )	Screw, Pan, Phl, M4 X 12	2
11	CN4000403	( )	Washer, Belleville, M4	2
11	41579	( )	Washer, Flat, 08, Ss	2
12	CN4001023	( )	18 Clamp	1

ELECTRICAL COMPONENT GROUP



Ref.	Part No.	Serial Numbers	Description	Qty.
1	CN4000038	( )	Screw, Pan, Phl, M4 X 12	4
1	CN4000403	( )	Washer, Belleville, M4	4
1	CN4000367	( )	Washer, M4	4
2	TN5100776	( )	Plate, Fix Electrical [T360]	1
3	CN5001643	( )	Fuse, 5a	1
4	CN5001647	( )	Fuse, 25a	3
5	CN5006632	( )	D2 Drive Controller	1
6	33931	( )	Screw, Pan, Phl, M4 X 0.70 X 30, Ss	2
6	41579	( )	Washer, Flat, 08, Ss	2
6	CN4000403	( )	Washer, Belleville, M4	2
7	CN5001703	( )	Contactor, Sw60- 40p	2
8	CN4000194	( )	Screw, Pan, Phl, M4 X 14	4
8	41579	( )	Washer, Flat, 08, Ss	4
8	CN4000403	( )	Washer, Belleville, M4	4
9	CN5001698	( )	Knob, Head	1
10	12323	( )	Screw, Pan, Phl, M4 X 0.70 X 20, Ss	2
10	41579	( )	Washer, Flat, 08, Ss	2
10	CN4000403	( )	Washer, Belleville, M4	2
11	CN5001636	( )	Fuse, 100a	1

RECOVERY TANK GROUP

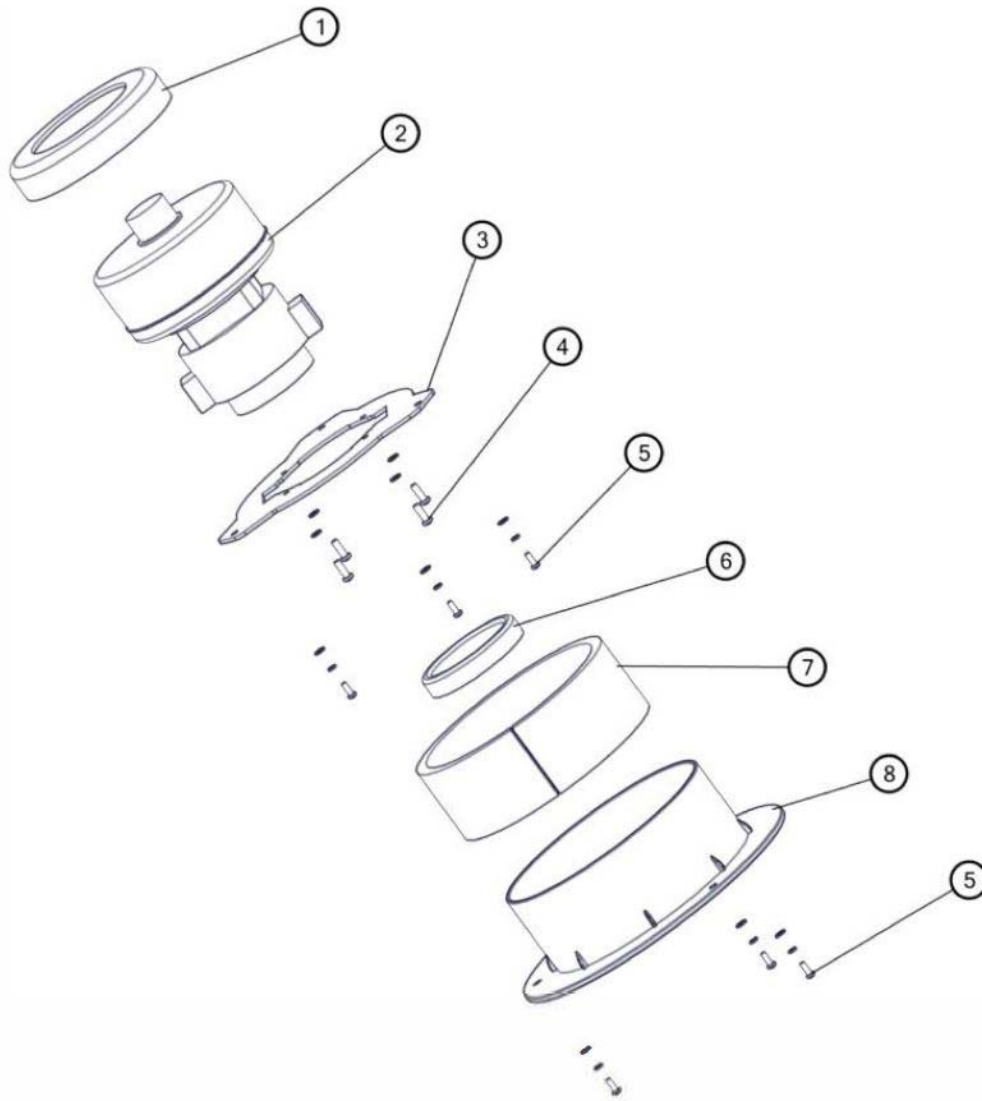


## RECOVERY TANK GROUP

Ref.	Part No.	Serial Numbers	Description	Qty.
1	TN5100769	( )	Cover, Tank Cycl [T360]	1
2	TN9100053	( )	Gasket, Recovery Tank Cover	1
3	CN5006943	( )	Cover, Motor Waterproof	1
4	CN5006942	( )	Base, Motor Waterproof Cover	1
5	CN4001265	( )	Screw, Flat, Cross, St3.5 X 12	3
6	CN5005723	( )	Cover, Debris, Tank, Recvy	1
7	CN5005711	( )	Tray, Debris, Tank, Recvy	1
8	15678	( )	Screw, Hex, M6 X 1.00 X 16, Ss	2
8	01684	( )	Washer, Flat, 0.27b 0.69d .05, Ss	2
9	TN5100446	( )	Brass Bushing 6*10*12	2
10	CN5003089	( )	Sensor, Level, Liq	1
11	CN5002833	( )	Hose Assy, Drain, 38mmd 990mml	1
12	TN5100753	( )	Tank, Recvy (Blue Green)[T360]15kg	1
13	CN4000004	( )	Ganizational 27- 51 Adjustable Ear Clamp	2
14	CN5002179	( )	Adapter, Hose, Str	1
15	CN5002836	( )	Hose, Sqge, Rear, 38mm Dia	1
16	CN4000038	( )	Screw, Pan, Phl, M4 X 12	2
16	CN4000403	( )	Washer, Belleville, M4	2
16	41579	( )	Washer, Flat, 08, Ss	2
17	TN5100856	( )	Plate, Cover Cotton [T360]	1
18	TN5100773	( )	Silencing Cotton, Motor [T360]	1

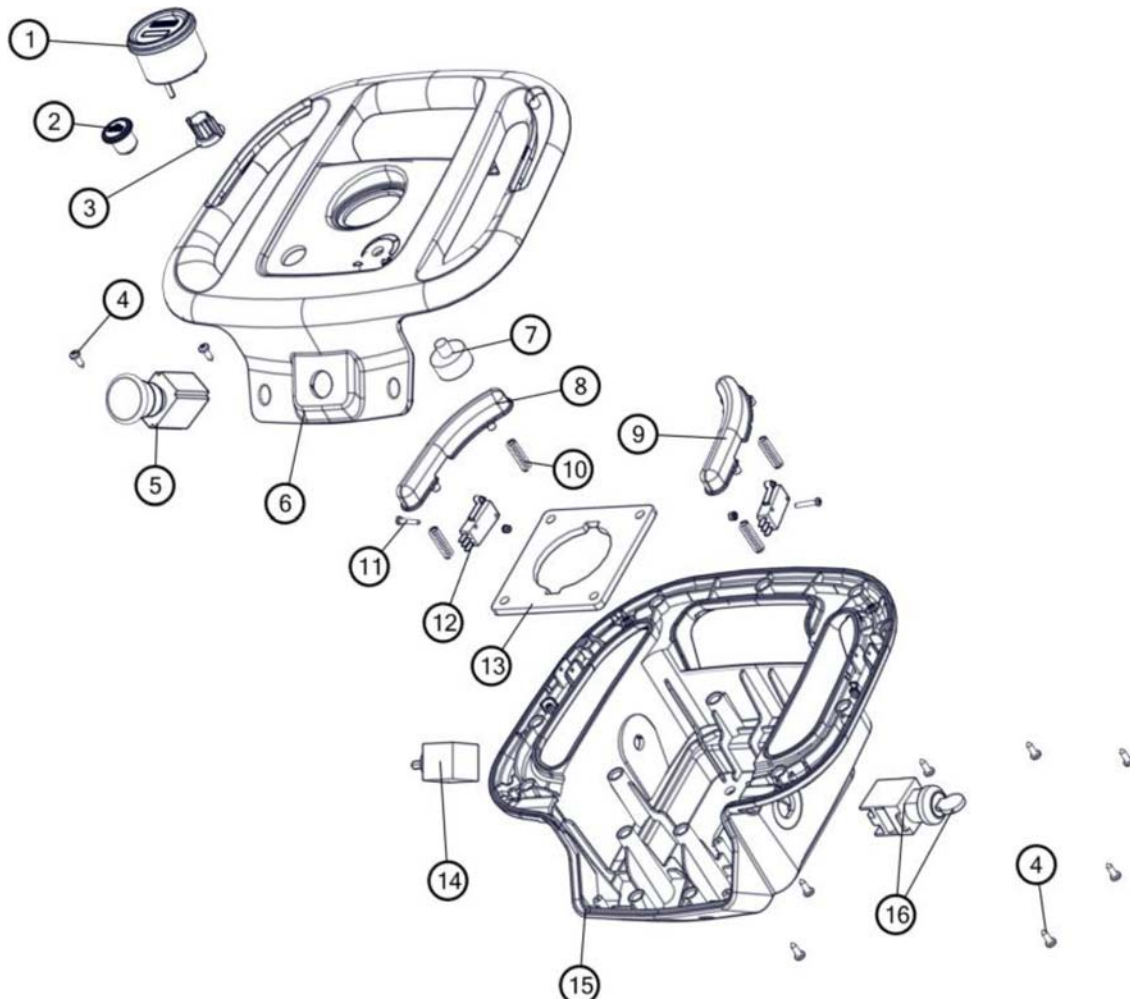
# STANDARD PARTS

## VACUUM MOTOR GROUP



Ref.	Part No.	Serial Numbers	Description	Qty.
1	TN5006617	( )	T560 Fan Damping Pad	1
2	CN5006873	( )	Motor Vacuum Double, 24v 450w	1
2	CN5001828	( )	Brush, Motor	2
3	CN5006899	( )	Fixing, Motor Support [Future]	1
4	CN4000147	( )	M10 * 35 Allen	4
4	140011	( )	Washer, Flat, 0.21b 0.45d .03, Ss	4
5	CN4000038	( )	Screw, Pan, Phl, M4 X 12	6
5	CN4000403	( )	Washer, Belleville, M4	6
5	41579	( )	Washer, Flat, 08, Ss	6
6	CN5005973	( )	Dampener, Ring, 95.6od 77.0id 12.5t	1
7	CN5006070	( )	Insulation, Acstc	1
8	CN5006114	( )	Housing, Motor	1

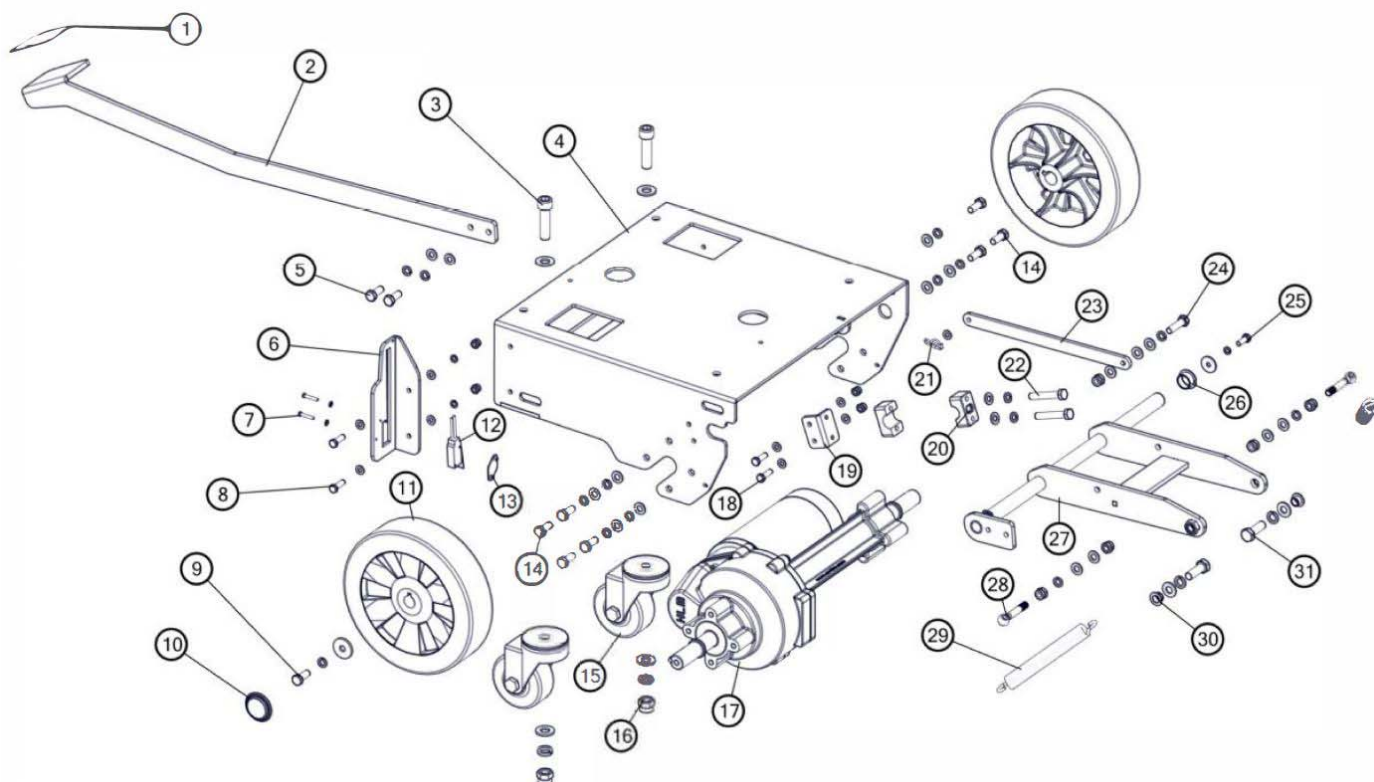
CONTROL HANDLE GROUP



Ref.	Part No.	Serial Numbers	Description	Qty.
1	CN5006049	( )	Gauge, Battery [T260]	1
2	TN5100868	( )	Button, Green 24v Self- Locking Mu022p	1
3	CN4000638	( )	Gm70bt Speed Control Switch Knob, D25	1
4	CN4001130	( )	Screw, Pan, Phl, M3.5 X 12, Fmg	11
5	CN5001563	( )	Gm- X50b Emergency Stop Switch, Zb2- Be10	1
6	TN5100767	( )	Cover, Steering Wheel [T360]	1
7	CN5001716	( )	Potentiometer, R24cb- 10- 20s- B5k- L1 (G)	1
7	CN5002324	( )	Rubber Gasket, Governor	1
8	TN5100771	( )	Button, Handlebar Left [T360]	1
9	TN5100772	( )	Button, Handlebar Right [T360]	1
10	TN5100777	( )	Spring, Button Limit [T360]	4
11	CN4000031	( )	Screw, Pan, Phl, M3 X 16	2
11	579211	( )	Nut, Hex, Lock, M3 X 0.50, NI, Ss	2
12	CN5007091	( )	Harness, Low Speed Model Switch	2
13	CN5005689	( )	Plate, Handle	2
14	CN5001534	( )	70b Directional Switch (Including Cap)	1
15	TN5100768	( )	Base, Steering Wheel [T360]	1
16	CN5007256	( )	Switch, Las0- Ke- 11ya/21b	1
16	CN5001519	( )	Key, Switch, Power	1

# STANDARD PARTS

## FRAME GROUP

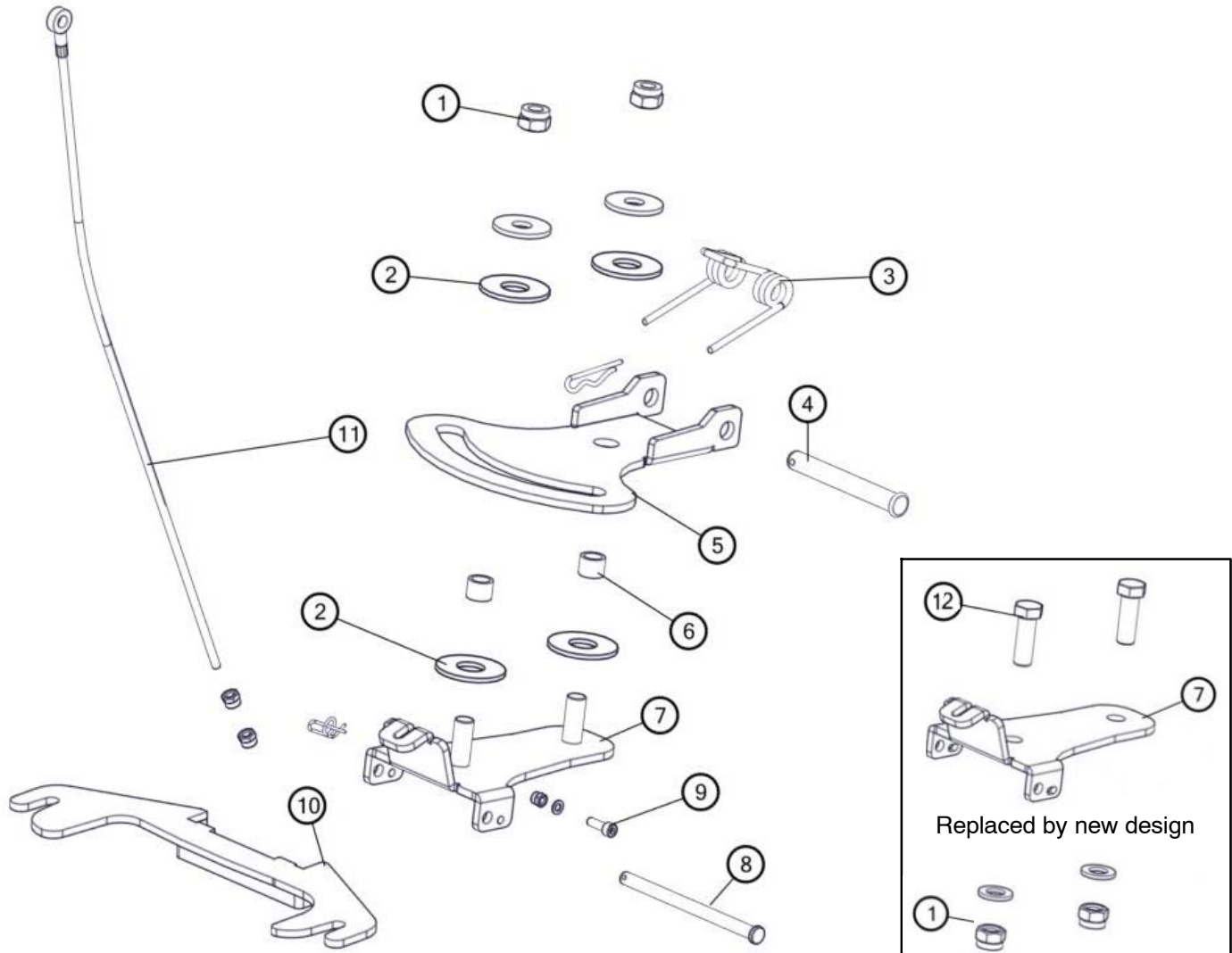


Ref.	Part No.	Serial Numbers	Description	Qty.
1	CN5006262	( )	Tread, Non-Skid, 50.0mmw 73.5mml	1
2	TN5100850	( )	Pedal, Arm [T360]	1
3	CN4000228	( )	Screw, Soc, M12 X 45, 12.9	2
3	33925	( )	Washer, Flat, M12, SS	2
4	TN5100848	( )	Frame [T360]	1
5	09740	( )	Screw, Hex, M8 X 1.25 X 20, SS	2
5	CN4000406	( )	Washer, Lock,, M8	2
5	CN4000373	( )	Washer, Flat, M8	2
6	TN5100855	( )	Plate, Pedal, Limit [T360]	1
7	CN4001133	( )	Screw, Pan, Phl, M3 X 20	2
7	CN4000365	( )	Washer, Flat, M3 3.2 X 7 X 0.5mm	2
8	12277	( )	Screw, Hex, M6 X 1.00 X 20, NI, Ss	2
8	CN4000370	( )	Washer, M6	4
8	CN4000405	( )	Washer, M6	2
8	08712	( )	Nut, Hex, Lock, M6 X 1.00, NI, Ss	2
9	09740	( )	Screw, Hex, M8 X 1.25 X 20, Ss	2
9	CN4000406	( )	Washer, M8 White	2
9	CN4000375	( )	Washer, M8	2
10	CN5006221	( )	Cap, Hub, Dust, 28.5mmd 10.8mml	2
11	CN5002290	( )	70bt Die- Cast Aluminum Alloy Rear Wheel	2
12	TN5100869	( )	Harness, Micro Switc, Disk [T360]	1
13	1013705	( )	Plate, Thread, Switch, M3 Nut, 96hr PI	1
14	09740	( )	Screw, Hex, M8 X 1.25 X 20, Ss	2
14	CN4000406	( )	Washer, M8 White	2
14	CN4000373	( )	Washer, M8	2
15	TN4100454	( )	Caster Tpr 3in	2
16	09741	( )	Nut, Hex, Lock, M12 X 1.75, NI, Ss	2
16	CN4000408	( )	Washer, Belleville, M12, Ss	2

## FRAME GROUP

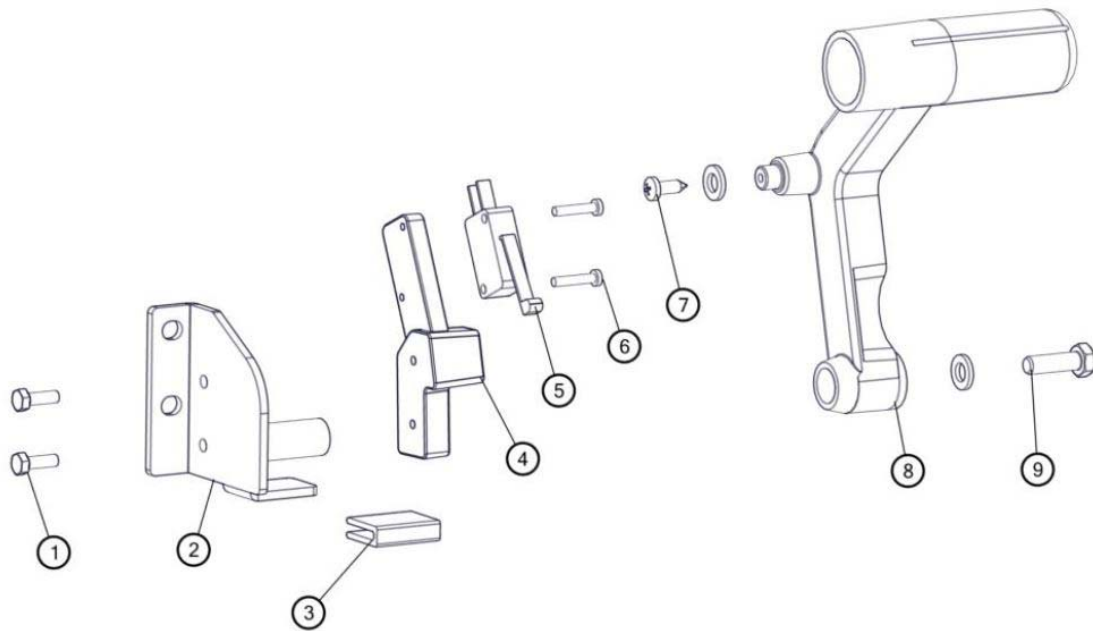
Ref.	Part No.	Serial Numbers	Description	Qty.
16	33925	( )	Washer, Flat, M12, Ss	2
17	CN5007198	( )	Drive Axle, 24v, 400w	1
17	TN9100049	( )	Carbon Brush, Driver Motor 24v 8216	2
18	12277	( )	Screw, Hex, M6 X 1.00 X 20, NI, Ss	2
18	CN4000370	( )	Washer, M6	4
18	08712	( )	Nut, Hex, Lock, M6 X 1.00, NI, Ss	2
19	TN5100892	( )	Support, Fix Rod T360	1
20	CN5005694	( )	S56b Brush Plate Arm Fixed Block	2
21	1216647	( )	Pin, Cotter, Hair, 0.38d .054 Wir	1
21	CN4000370	( )	Washer, M6	1
22	CN4000069	( )	M6 * 50 Hex	2
22	CN4000405	( )	Washer, M6	2
22	CN4000370	( )	Washer, M6	2
23	TN5100852	( )	Rod, Brush Disk [T360]	1
24	76570	( )	Screw, Hex, M8 X 1.25 X 30, 8.8	1
24	CN4000406	( )	Washer, M8 White	1
24	CN4000373	( )	Washer, M8	3
24	08713	( )	Nut, Hex, Lock, M8 X 1.25, NI, Ss	1
25	15678	( )	Screw, Hex, M6 X 1.00 X 16, Ss	1
25	CN4000405	( )	Washer, M6	1
25	140053	( )	Washer, Flat, 0.28b 0.88d .12, Ss	1
26	TN5100860	( )	Bushing, Auto Lubrication D18	1
27	TN5100849	( )	Rod, Disk T360	1
28	CN4000175	( )	M8*40 Live Screw	2
28	07786	( )	Nut, Hex, Std, M8 X 1.25, Ss	2
28	CN4000406	( )	Washer, M8 White	2
28	CN4000373	( )	Washer, M8	4
28	08713	( )	Nut, Hex, Lock, M8 X 1.25, NI, Ss	2
29	CN5001231	( )	Gm110 Suction Steering Spring	2
30	TN5100859	( )	Bushing, Auto Lubrication D10	1
31	12317	( )	Screw, Hex, M10 X 1.50 X 30, Ss	2
31	CN4000407	( )	M10 Play Mat	2
31	140036	( )	Washer .375 Flat Sae Ss	2

SQUEEGEE LIFT GROUP



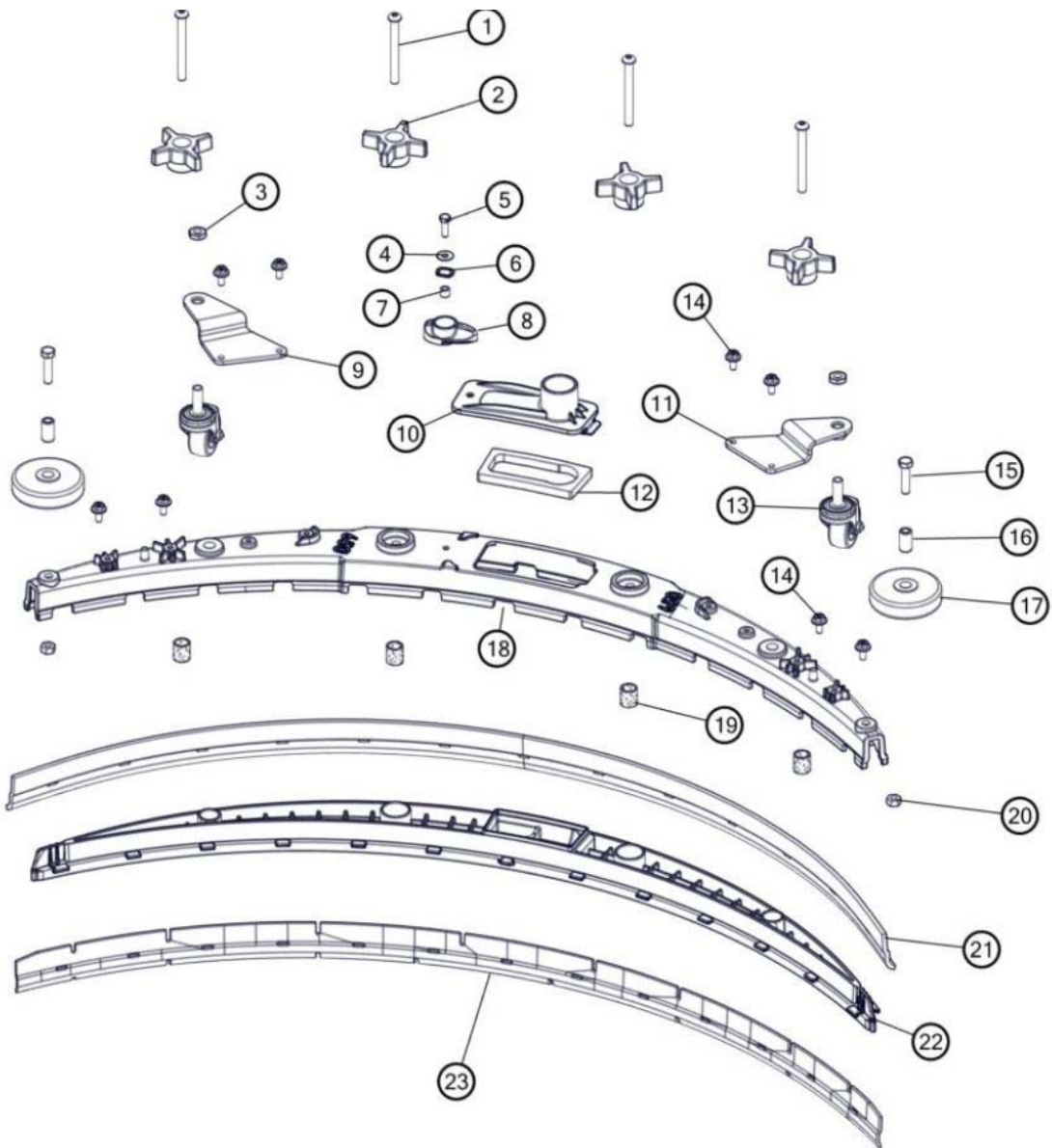
Ref.	Part No.	Serial Numbers	Description	Qty.
1	09741	( )	Nut, Hex, Lock, M12 X 1.75, NI, Ss	2
1	32493	( )	Washer, Flat, 0.56b 1.38d .11, Stl, Pl	2
2	CN5004742	( )	Washer, 45mmd 18mmb 3mml (Ptf)	4
3	TN5100858	( )	Spring, Squeegie [T360]	1
4	CN4001142	( )	Pin, Clevis, 12mmd X 95mml	1
4	CN4000904	( )	Pin, Cotter, 2x40	1
5	TN5100865	( )	Plate, Squeegie Fix [T360]	1
6	TN5100862	( )	Bushing, Axle, Squeegie [T360]	2
7	TN5100863	( )	Support, Squeegie, Angle 1 [T360]	1
8	CN4001273	( )	Pin, 8x120 Sus304	1
8	1216647	( )	Pin, Cotter, Hair, 0.38d .054 Wir	1
9	CN4000058	( )	The M5 * 12 Socket Head	1
9	140011	( )	Washer, Flat, 0.21b 0.45d .03, Ss	1
9	09739	( )	Nut, Hex, Lock, M5 X 0.80, NI, Ss	1
10	TN5100864	( )	Support, Squeegie, Angle 2 [T360]	1
11	TN4100453	( )	Wiredrawing, Squeegie [T360]	1
11	08712	( )	Nut, Hex, Lock, M6 X 1.00, NI, Ss	2
12	CN4000316	( )	Screw, Hex, M12 X 35	2

SQUEEGEE LIFT HANDLE GROUP



Ref.	Part No.	Serial Numbers	Description	Qty.
1	CN4000038	( )	Screw, Pan, Phl, M4 X 12	2
1	41579	( )	Washer, Flat, 08, Ss	2
2	CN5006284	( )	Bracket Wldt, Lift, Sqge	1
3	TN9100050	( )	Reset Frame Edge Protection Strip 25mm	1
4	CN5006106	( )	Arm, Mtg, Switch, Alm	1
5	CN5001521	( )	Switch, Micro	1
6	CN4000031	( )	Screw, Pan, Phl, M3 X 16	2
7	CN4000048	( )	Screw, Phl St4*10	1
7	01683	( )	Washer, Flat, 10, Ss	1
8	CN5001932	( )	Handle, Sqge, Lower, Lift	1
9	CN4000068	( )	Screw, Hex, M6 X 12	1
9	CN4000373	( )	Washer, M8	1

SQUEEGEE GROUP



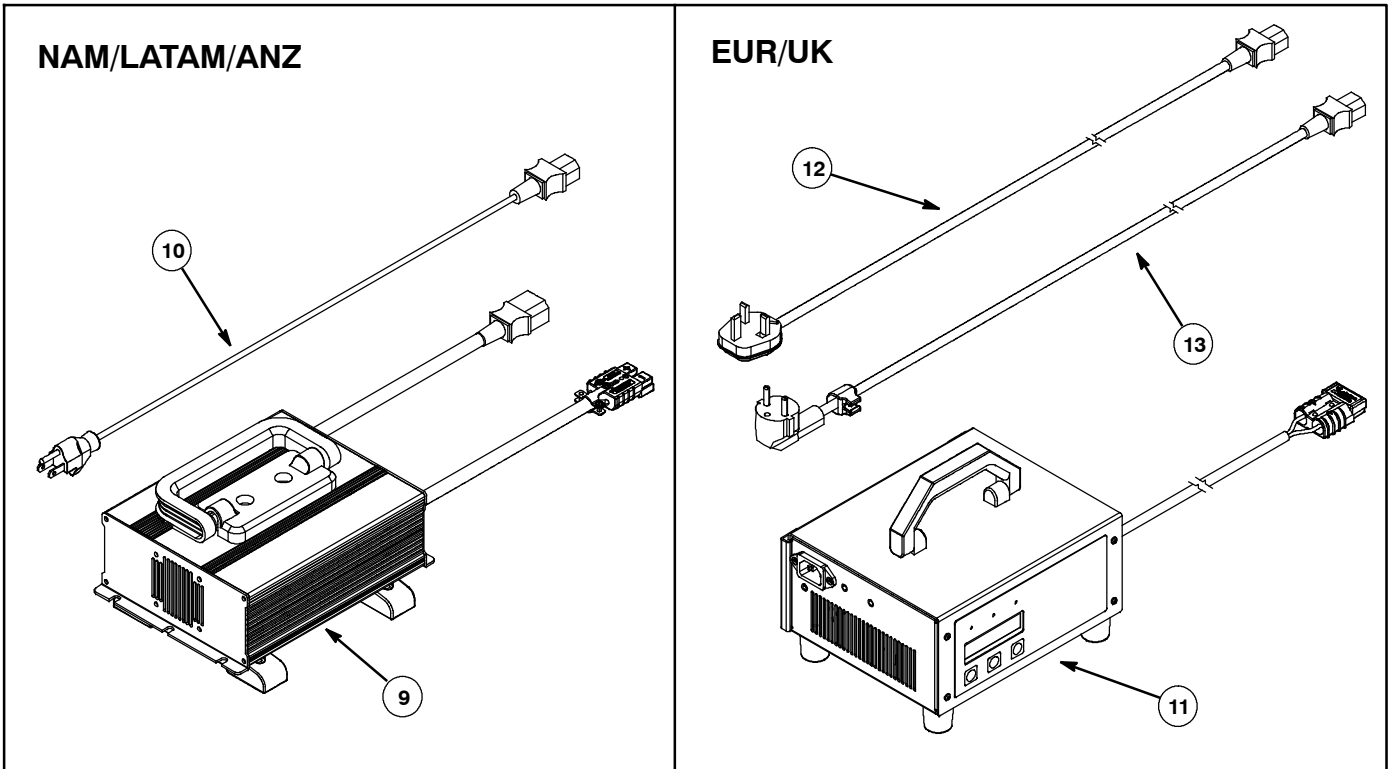
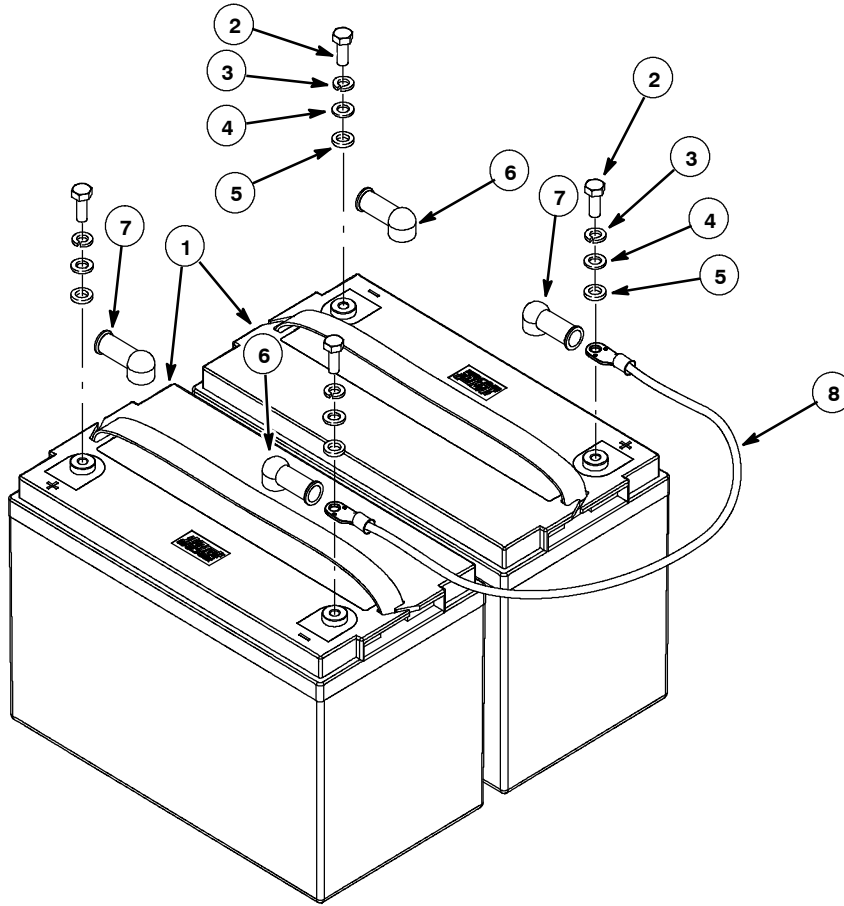
## SQUEEGEE GROUP

Ref.	Part No.	Serial Numbers	Description	Qty.
	CN3000550	( )	Squeegee Kit, 650mm, Linatex/Linard (items 1- 23)	4
1	1255358	( )	Screw, Btn, M8 X 1.25 X 85, Ss	4
2	CN5005398	( )	Knob, Star, 60mmod 4ear M8 [Yel]	4
3	32716	( )	Nut, Hex, Jam, M10 X 1.5, Ss	2
4	01684	( )	Washer, Flat, 0.27B 0.69D .05, SS	1
5	12277	( )	Screw, Hex, M6 X 1.00 X 20, NI, Ss	1
6	140060	( )	Washer, .505 X .750 X 0.45 Wave	1
7	140154	( )	Sleeve, P/M, 0.25b 0.38d 0.3l, PI	1
8	1222109	( )	Knob, Sqge, 58l, M6 X 1.00, Plstc	1
9	1222236	( )	Bracket Wldt, Caster, Rh Sqge[T500]	1
10	1209631	( )	Cover, Trap, Water, Sqge	1
11	1222001	( )	Bracket Wldt, Caster, Lh Sqge [T500]	1
12	1210756	( )	Gasket, Trap, Water, Sqge	1
13	1264538	( )	Caster, Swivel,	2
14	1034731	( )	Screw, Hex, M6 X 1.00 X 16, Sems, Ss	8
15	09023	( )	Screw, Hex, M8 X 1.25 X 35, FI, Ss	2
16	222496	( )	Sleeve, P/M, 0.32b 0.50d 0.9l [430ss]	2
17	222066	( )	Wheel, 03.0d 0.88w 0.50b	2
18	1243537	( )	Frame, Sqge, 65cm, Mach [T500/T600]	1
19	22290	( )	Spring, Cmpr, 0.72od .06wir 02.3l	4
20	08713	( )	Nut, Hex, Lock, M8 X 1.25, NL, SS	2
21	1221585	( )	Blade, Sqge, Rear, 1136l, Linatex[650mm] (Std)	1
23	4235751	( )	Blade, Sqge, Front, 1072l Linard[650mm] (Std)	1
▽	9015735	( )	Blade Kit, 650mm, Urethane (Option)	1
▲ 21	1228909	( )	Blade, Sqge, Rear, 1136l, Urethan [650mm] (Option)	1
▲ 23	1228915	( )	Blade, Sqge, Front, 1072l, Urethan [650mm] (Option)	1
▽	9015733	( )	Blade Kit, 650mm, Gum (Option)	1
▲ 21	1228910	( )	Blade, Sqge, Rear, 1136l, Gum [650mm] (Option)	1
▲ 23	1228919	( )	Blade, Sqge, Front, 1072l, Gum [650mm] (Option)	1
21	317454	( )	Blade, Sqge, Rear, 1136l, Primothane [650mm] (Option)	1
23	317455	( )	Blade, Sqge, Front, 1072l, Primothane [650mm] (Option)	1
22	1221260	( )	Retainer, Sqge, 65cm [T500]	1

▽ ASSEMBLY

▲ INCLUDED IN ASSEMBLY

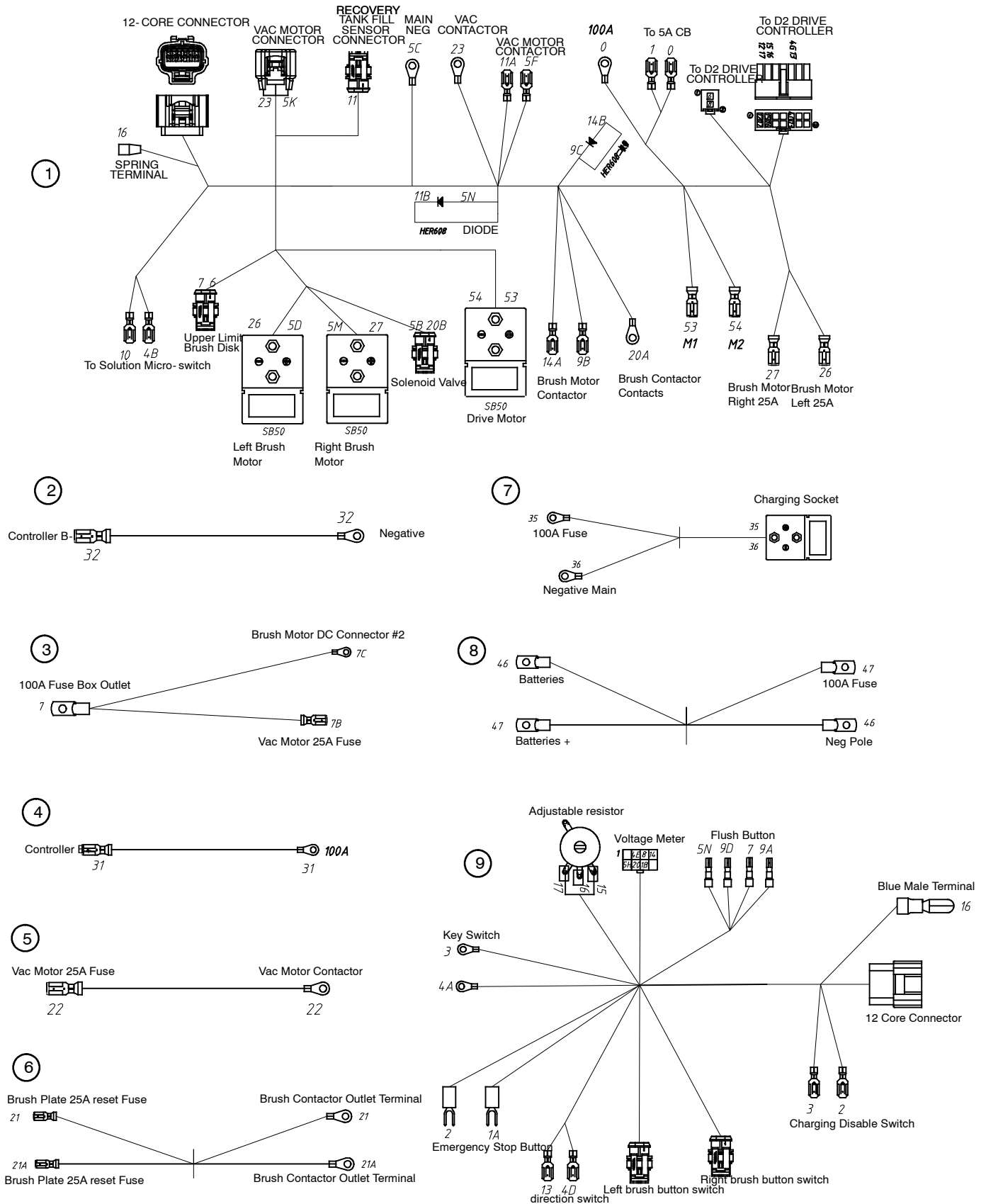
BATTERY AND CHARGER GROUP



## BATTERY AND CHARGER GROUP

Ref.	Part No.	Mfr. Date	Description	Qty.
1	CN5002612	( )	Battery, Agm, 12vdc, 120ah [NA, LATAM, ANZ]	2
1	1276703	( )	Battery, Agm, 12vdc, 144ah [EMEA]	2
2	09740	( )	Screw, Hex, M8 X 1.25 X 20, Ss	2
3	CN4000406	( )	Washer, M8	2
4	CN4000373	( )	Washer, M8	2
5	CN5000789	( )	Pad, Battery, Booster	4
6	CN5002221	( )	Boot, Terminal, Battery (Black)	2
7	CN5002220	( )	Boot, Terminal, Battery (Red)	2
8	TN5100824	( )	Harness, Bridge Battery	1
9	CN5006264	( )	Charger, 24v, 15ah [NA, LATAM, ANZ]	1
10	CN5002960	( )	Cord, Power [NA]	1
10	CN5005927	( )	Cord, Power [BRZ]	1
10	CN5004235	( )	Cord, Power [ANZ]	1
11	1212837	( )	Charger, 24vdc/13A, 100- 240V [EMEA]	1
12	1044068	( )	Cord, Power, Blk [2.5meter, Eur]	1
13	1044069	( )	Cord, Power, Blk [2.5meter, Uk]	1

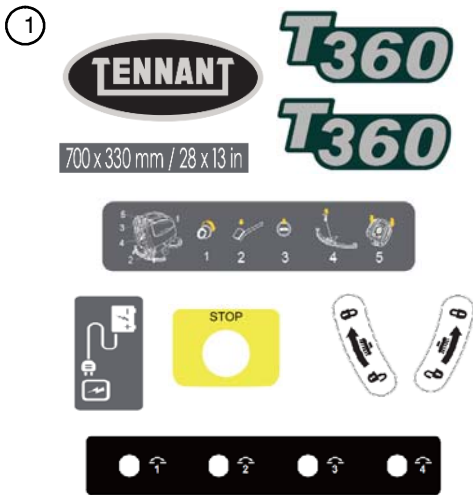
## WIRE HARNESS GROUP



## WIRE HARNESS GROUP

Ref.	Part No.	Serial Numbers	Description	Qty.
1	TN5100815	( )	Harness, Main [T360]	1
2	TN5100816	( )	Harness, Control D2 B- [T360]	1
3	TN5100817	( )	Harness, Fuse 100a [T360]	1
4	TN5100818	( )	Harness, Control D2 B+[T360]	1
5	TN5100819	( )	Harness, Vacuum 25a Fuse[T360]	1
6	TN5100820	( )	Harness, Disk Motor 25a Fuse[T360]	1
7	TN5100821	( )	Harness, Charge (Red Connector)[T360]	1
8	TN5100822	( )	Harness, Battery [T360]	1
9	TN5100823	( )	Harness, Panel [T360]	1

LABEL GROUP



Ref.	Part No.	Serial Numbers	Description	Qty.
1	4047237	( )	Label Kit, Operational [T360]	1
2	4047234	( )	Label Kit, Safety [T360]	1

## DOCUMENTATION GROUP

Part No.	Description	Qty.
TN7100065	Manual, Oprtr [T360, NA/LATAM, EN]	1
TN7100066	Manual, Oprtr [T360, NA/LATAM, ES]	1
TN7100067	Manual, Oprtr [T360, NA, FR]	1
TN7100068	Manual, Oprtr [T360, LATAM, PTB]	1
TN7100069	Guide, Quick Start [T360, EMEA]	1
TN7100070	Manual, Oprtr [T360, EMEA, BG]	1
TN7100071	Manual, Oprtr [T360, EMEA, CZ]	1
TN7100072	Manual, Oprtr [T360, EMEA, DE]	1
TN7100073	Manual, Oprtr [T360, EMEA, DK]	1
TN7100074	Manual, Oprtr [T360, EMEA, EE]	1
TN7100075	Manual, Oprtr [T360, EMEA, EN]	1
TN7100076	Manual, Oprtr [T360, EMEA, ES]	1
TN7100077	Manual, Oprtr [T360, EMEA, FI]	1
TN7100078	Manual, Oprtr [T360, EMEA, FR]	1
TN7100079	Manual, Oprtr [T360, EMEA, GR]	1
TN7100080	Manual, Oprtr [T360, EMEA, HR]	1
TN7100081	Manual, Oprtr [T360, EMEA, HU]	1
TN7100082	Manual, Oprtr [T360, EMEA, IT]	1
TN7100083	Manual, Oprtr [T360, EMEA, LT]	1
TN7100084	Manual, Oprtr [T360, EMEA, LV]	1
TN7100085	Manual, Oprtr [T360, EMEA, NL]	1
TN7100086	Manual, Oprtr [T360, EMEA, NO]	1
TN7100087	Manual, Oprtr [T360, EMEA, PL]	1
TN7100088	Manual, Oprtr [T360, EMEA, PT]	1
TN7100089	Manual, Oprtr [T360, EMEA, RO]	1
TN7100090	Manual, Oprtr [T360, EMEA, RU]	1
TN7100091	Manual, Oprtr [T360, EMEA, SE]	1
TN7100092	Manual, Oprtr [T360, EMEA, SK]	1
TN7100093	Manual, Oprtr [T360, EMEA, SL]	1
TN7100094	Manual, Oprtr [T360, EMEA, TR]	1
TN5100898	Wall Chart [T360]	1
4238518	Manual, Parts [T360, Global]	1
4238519	Manual, Service [T360, EN]	1



To view, print, or download the latest Parts manual, other language Operator manuals, and Use and Care Guides (wall charts), visit:

[www.tennantco.com/manual](http://www.tennantco.com/manual)

# ELECTRICAL DIAGRAM

